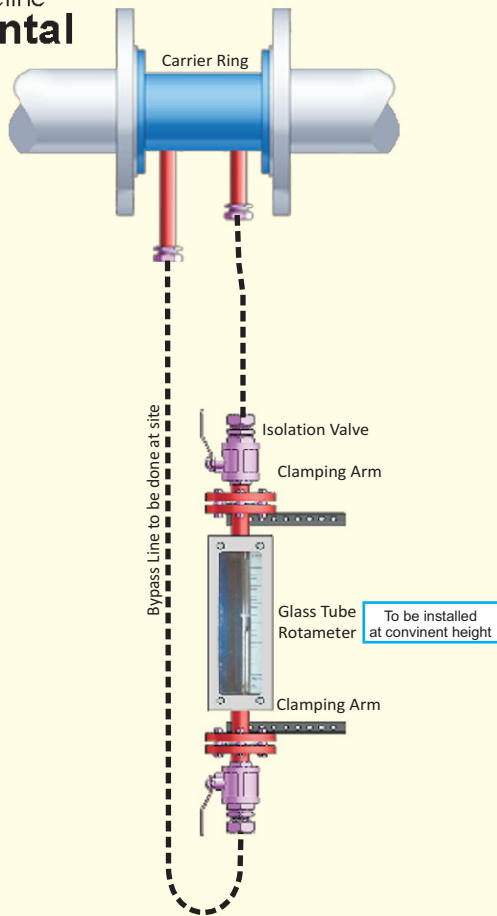




Rotameter

By-Pass
Variable Area Flowmeter

Main Pipeline
Horizontal



Standard Features

Easy to Maintain

Most Economical – Low Cost

Pipe Size:- 40 NB to 300 NB

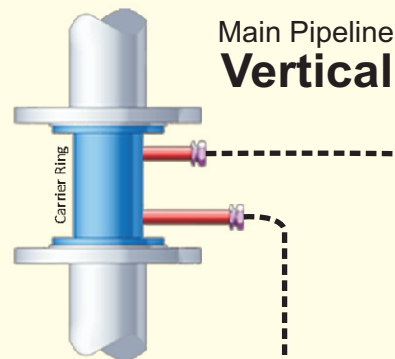
Flow range :- For Air :- 250 to 4700 NM³/Hr
For Water 8 to 1500 M³/Hr?

Two tone Powder coated Excellent finish
Rangeability:- 1:10 & 2:20

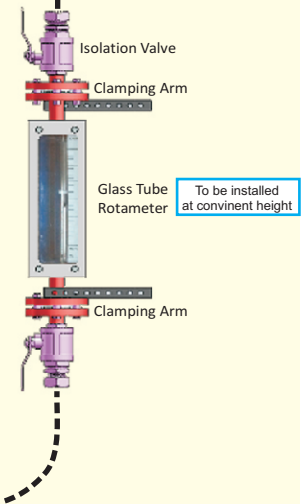
Heavy duty design with maximum visibility
Various Options for Material Of Constructions

Operating Principle

- ◆ By Pass Rotameter is an inference type Flow Meter.
- ◆ Differential pressure 'DP' is created in the main flow by providing an Orifice Plate in the main Pipe line.
- ◆ Because of this differential pressure a branch of flow moves through by- pass line provided across the orifice plate from up- stream side to down -stream side of Orifice Plate.
- ◆ An additional range orifice plate is provided in the by-pass line which is designed such that flow through by -pass line (range orifice plate) flows in proportion with the flow through main pipe line (Main Orifice Plate)
- ◆ Hence by measuring the flow from By-pass Line we can estimate the flow through Main pipe Line.



By-pass Line to be done at site



Tansa Equipments Pvt. Ltd.

Unit No. 35/36/41, Om Anand Industrial estate, M. S. Road, Raghunath Nagar, Thane - 400604 (Maharashtra) India.

Tel. : 2583 2323 , 65720669 Fax : 2582 3708,

E-mail : tansaindia@gmail.com / tansa@mtnl.net.in / sales@tansa.co.in

Website : www.tansa.co.in, www.rotameters.co.in, www.orificeplate.in, www.flowmetersindia.com

We also manufacture Metal Tube, Purge type, Acrylic body, by - Pass Rotameters & Orifice Assy.

● Due to continuous development specifications are subject to change without prior notice.

CAT No. - By Pass-01-010412





Rotameter

By-Pass
Variable Area Flowmeter

Technical Specification

Orifice Plate:- For Main Pipe –designed as per ISO-5167-MOC-SS316

Rotameter :- In By-Pass Line:- Designed As Per ISA-RP16.1,2,3

Range Orifice Plate:- In Proportion to Main Orifice Plate

Accuracy:- For Rotameter:- 2% FS / For assembly 4% FS

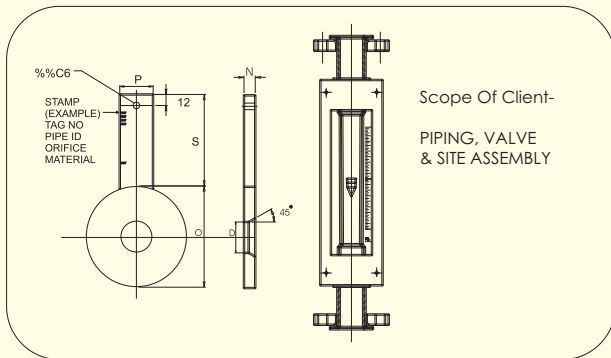
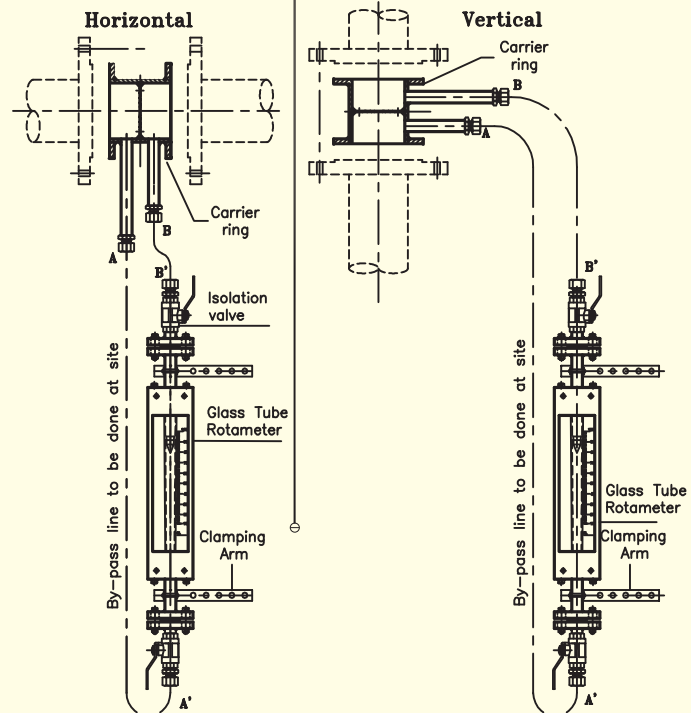
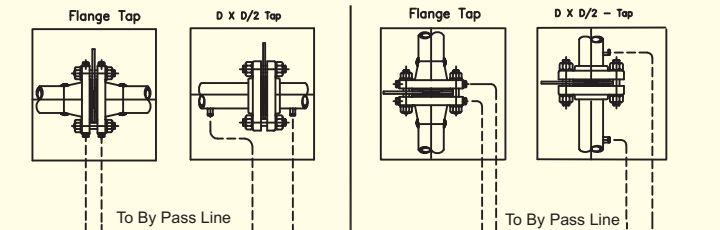
After calibrating on site.

Model-CR+R

Carrier Ring & Rotameter

As shown in the picture insert the Carrier Ring in the main pipe line. Installed Rotameter at Convenient height & connect the Carrier Ring & Rotameter with By-Pass line

| MAIN LINE NB MM | Pressure Drop Meters Of H ₂ O | | | | | | | | | |
|-----------------------|--|-----|-----|------|------|--------------------------|-------|-------|-------|-------|
| | 1.2 | 2.5 | 3.8 | 5.0 | 10.0 | 1.2 | 2.5 | 3.8 | 5.0 | 10.0 |
| | LIQUID NM ³ / Hr | | | | | AIR NM ³ / Hr | | | | |
| 40 | 8 | 12 | 14 | 16 | 22 | 246 | 350 | 424 | 492 | 730 |
| 50 | 13 | 19 | 22 | 27 | 38 | 407 | 577 | 713 | 815 | 1206 |
| 65 | 19 | 27 | 34 | 38 | 54 | 594 | 849 | 1019 | 1155 | 1699 |
| 80 | 29 | 40 | 52 | 59 | 83 | 917 | 1274 | 1580 | 1835 | 2684 |
| 100 | 59 | 86 | 104 | 120 | 170 | 1869 | 2616 | 3228 | 3738 | 5437 |
| 125 | 95 | 136 | 163 | 188 | 272 | 2888 | 4078 | 5097 | 5777 | 8496 |
| 150 | 136 | 192 | 227 | 272 | 385 | 4248 | 5947 | 7306 | 8496 | 12234 |
| 200 | 227 | 340 | 408 | 476 | 658 | 7306 | 10365 | 12744 | 14613 | 21409 |
| 250 | 363 | 522 | 635 | 749 | 1044 | 11554 | 16482 | 20390 | 23109 | 33984 |
| 300 | 522 | 749 | 930 | 1066 | 1498 | 16482 | 23109 | 28036 | 32284 | 47577 |



Scope Of Client-
PIPING, VALVE
& SITE ASSEMBLY

Model - OP+R Orifice Plate & Rotameter

This is economical model which consists of
1) Main Orifice Plate
2) Glass Tube Rotameter

Data Required For Offer

- | | |
|-------------------------------|---------------------|
| 1) Tag No. | 7) MOC of Main Pipe |
| 2) Flange Size, Specification | 8) Main Pipe Size |
| 3) Flow Max., Nor., Min., | 9) Fluid |
| 4) Density | 10) Pressure |
| 5) Temperature | 11) Viscosity |
| 6) Measuring Range | |



Tansa Equipments Pvt. Ltd.

Unit No. 35/36/41, Om Anand Industrial estate, M. S. Road, Raghunath Nagar, Thane - 400604 (Maharashtra) India.

Tel. : 2583 2323 , 65720669 Fax : 2582 3708,

E-mail : tansaindia@gmail.com / tansa@mtnl.net.in / sales@tansa.co.in

Website : www.tansa.co.in, www.rotameters.co.in, www.orificeplate.in, www.flowmetersindia.com

We also manufacture Metal Tube, Purge type, Acrylic body, by - Pass Rotameters & Orifice Assy.

● Due to continuous development specifications are subject to change without prior notice.

CAT No. - By-Pass-01-010412

